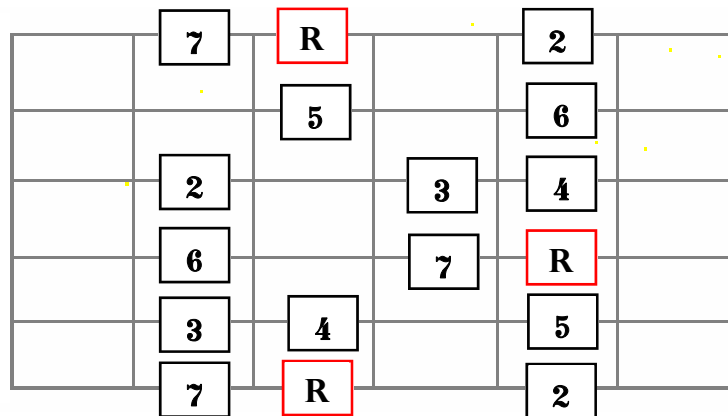


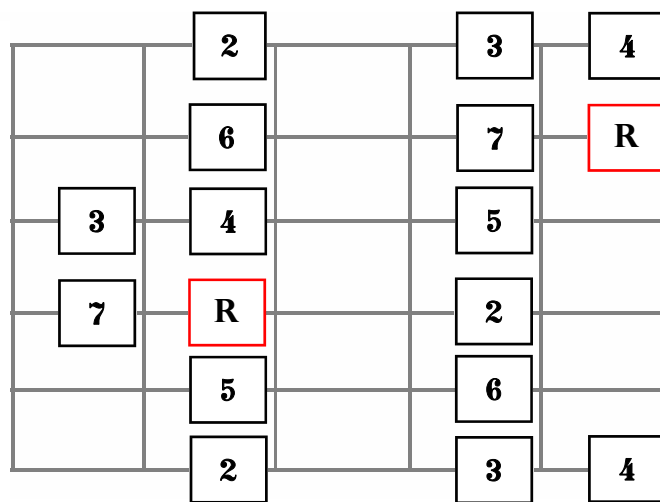
THE MAJOR SCALE

The major scale is arguably the most important scale in Western music. From it we can derive major, minor, and diminished triads. It is an important weapon in any guitarist's arsenal, with application in the areas of theory, improvisation, and technique.

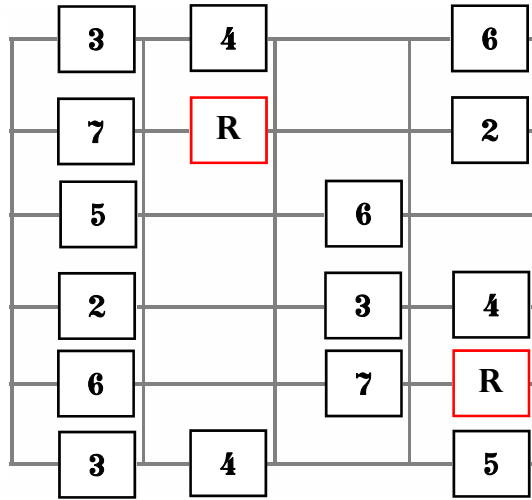
Although this scale can be played on the guitar in many different patterns, each one is based on a standard series of whole steps (abbreviated "W" and equivalent to 2 frets) and half steps (abbreviated "H" and equivalent to 1 fret): W W H W W W H. Major scales are always constructed using consecutive letter names. A one-octave C Major Scale thus contains the following notes: C D E F G A B C. Shown below are the five most common major scale forms.



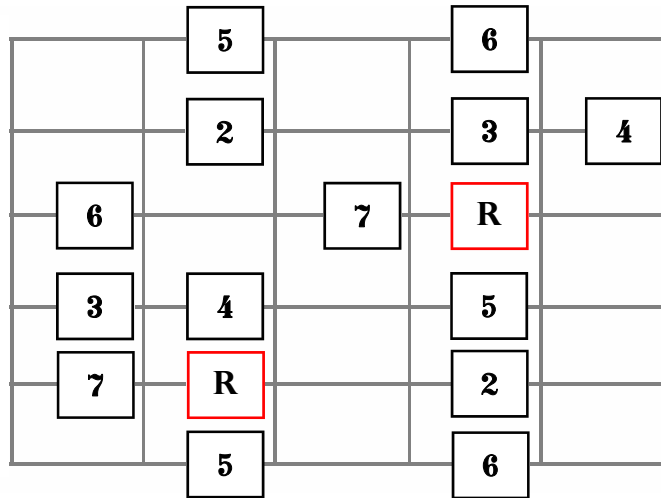
Major scale—Form 1



Major Scale - Form 2

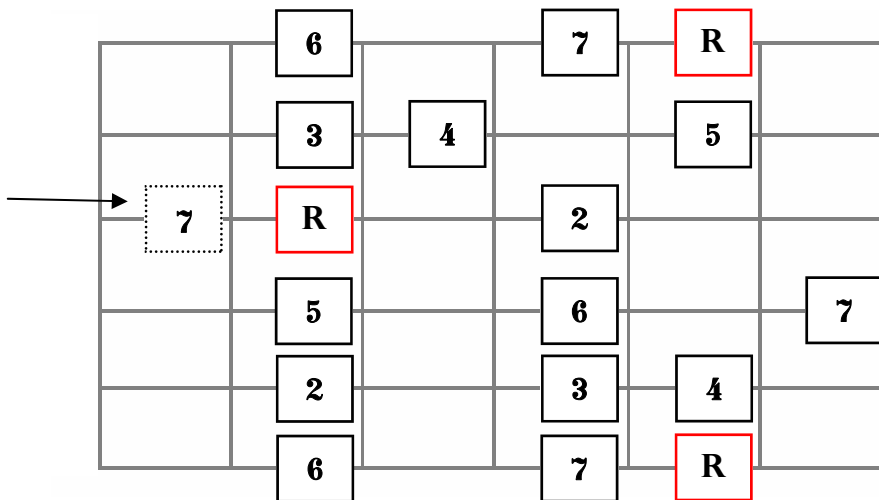


Major Scale - Form 3



Major Scale - Form 4

Alternate seventh
scale degree note



Major Scale - Form 5